

Turning Tools - Internal Machining

System DRW-644-MFE

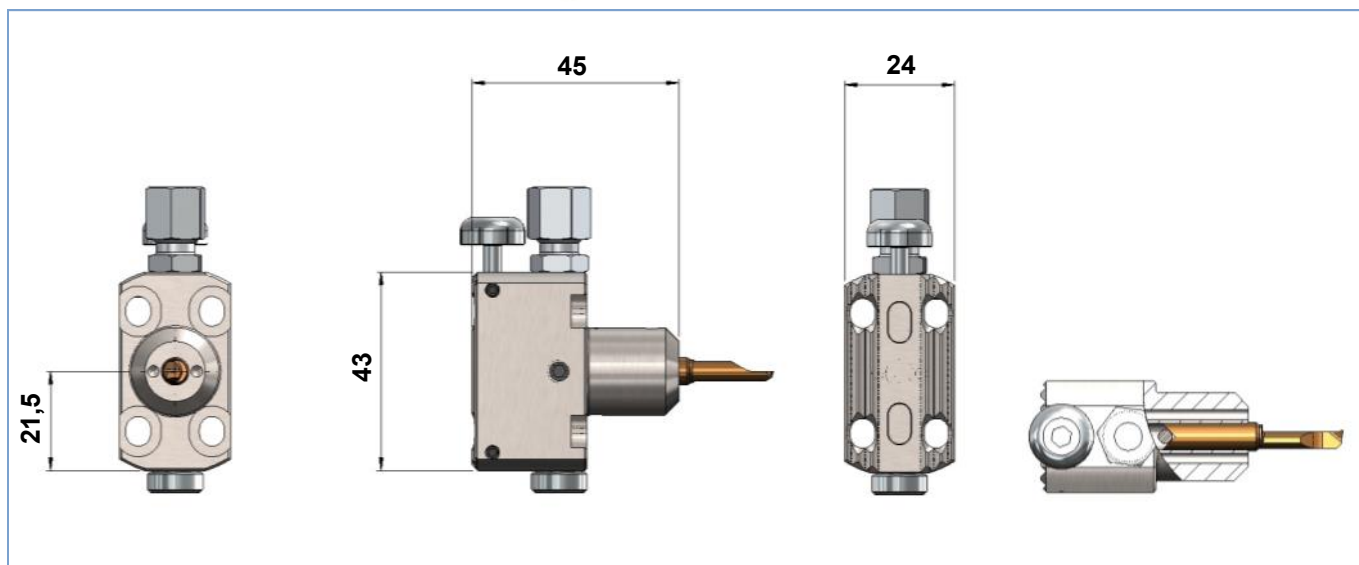


www.dieterle-tools.com

Tool holders for back end machining Adjustable in height



- For all MINIFIX tools by Dieterle
- Quick and simple tool change
- Clamped height adjustment screw
- Excellent repeatability
- Coolant supply



Item no.	Ref. no.	For Ø
169822	DRW-644-MFE-06-IK-01	6
169823	DRW-644-MFE-04-IK-01	4

Information about our MINIFIX tools is available on www.dieterle-tools.com.

If you have any questions, please do not hesitate to contact us!